



VIDOK.COM
WINDOWS AND DOORS

CATALOGUE OF PRODUCTS

ALUMINIUM

TIMBER

PVC-U

B2B VIDOK

RELIABLE PRODUCER

VIDOK is a company with experience since 1993 in the production of wooden, PVC and aluminum **windows, doors and facades**. With a great passion for beauty, we focus on the right technology and the latest trends in the industry. Since the beginning of the company's activity, the production of the highest quality doors and windows, without tolerating any compromises, is the key to the success.

Our experts provide modern product solutions and professional advisory beginning with the project phase, through the selection of the appropriate product, up to a professional installation.

They individually select the latest technological solutions in compliance with the current construction regulations, norms and market requirements.

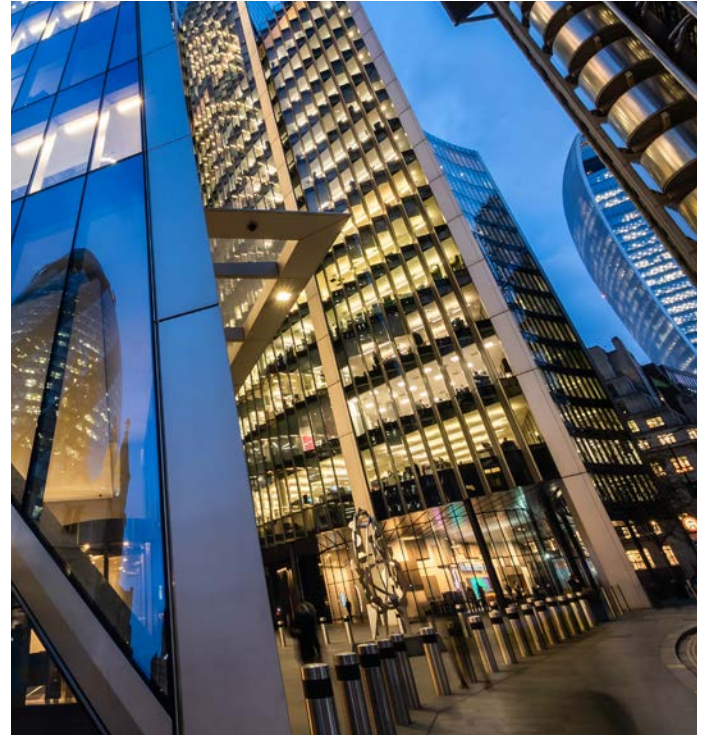


JOIN TODAY CREATE TOMMOROW

As a world-wide recognized brand, we know how important the complexity is for the customer, the complexity which combines the best product together with the highest quality service.

We aim for excellence, expand our horizons in harmony with the latest trends. In order to achieve the highest quality, our qualified employees diligently perform the aim for excellence.

We focus our actions on the cooperation with the best suppliers of solid, modern materials and systems which are widely appreciated on the worldwide market.



VIDOK PRODUCTS



ALUMINIUM

WINDOWS
DOORS
SLIDING DOORS
CURTAIN WALLS
FACADE BLINDS
SHUTTERS



PVC

WINDOWS
DOORS
SLIDING DOORS



PVC-ALU

WINDOWS



TIMBER

WINDOWS
DOORS
SLIDING DOORS
SHUTTERS



TIMBER - ALU

WINDOWS
DOORS
SLIDING DOORS

CERTIFICATES



PARTNERS



ALUMINIUM MANUFACTURING FACILITY

The VIDOK aluminium hall with an area of 2 500 m² equipped with the only such advanced in Poland, the FOM Industrie LMX 650 cutting machining centre is a guarantee of high efficiency and precision of each element.

High stability, longevity and resistance weather conditions are the strengths of VIDOK aluminium structures, which are widely used in modern passive houses as well as large facilities such as hotels, galleries, schools, airports.



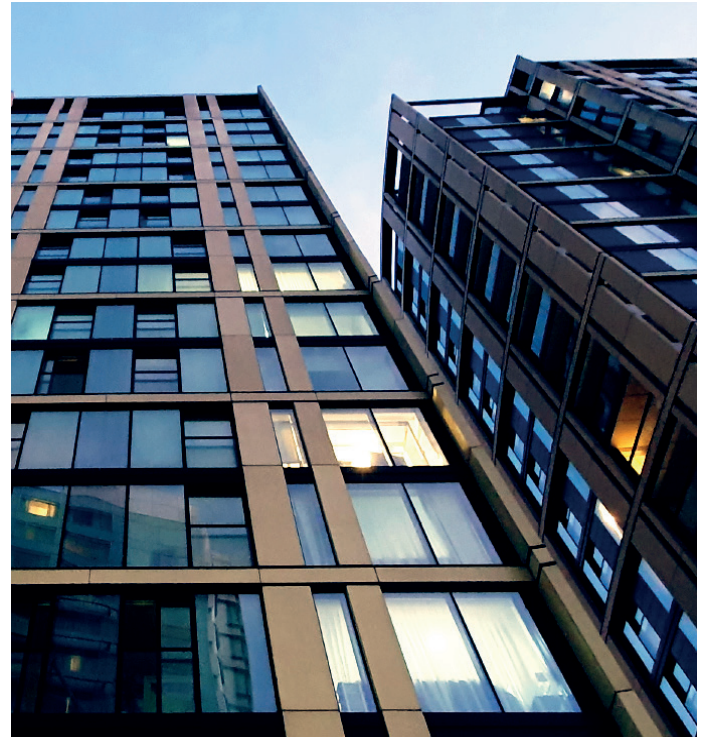
FOT. VIDOK

Unique style and a wide spectrum of avant-garde architecture design. The combination of glass and aluminium allows us to create modern, one-of-a-kind projects.

Aluminium constructions are manufactured on the basis of advanced technological profiles, intended for the production of curtain walls, windows and doors, as well as unusual spatial forms.

These systems are suitable for both outdoor and indoor solutions. Their multiplicity means that each structure is created individually, in accordance with the requirements of the project and the expectations of the investor.

The advantage of aluminium structures is their high stability, longevity and resistance to weather conditions. Aluminium profiles can be anodized, painted or coated with foil imitating wood. Aluminium is ideal for large buildings such as office buildings, hotels, galleries, schools, airports, but also in passive houses.



PROFILE

Installation depth: 70/79 mm

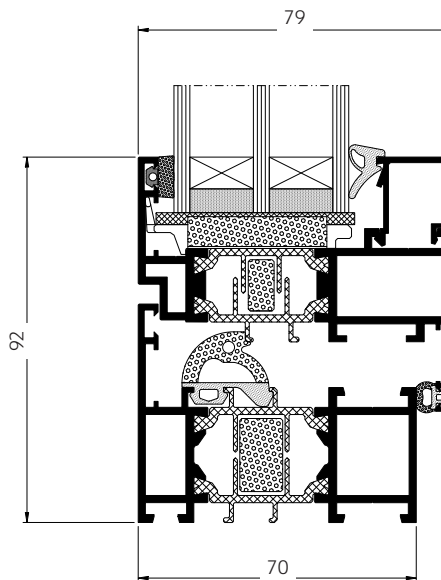
Profile available in the variant:
MB-70 HI / MB-70US / MB-70US HI /
MB-70SG / MB-70 INDUSTRIAL /
MB-70 INDUSTRIAL / HIMB-70RC4 /
MB-70 Pivot / MB-70CW / MB-70CW H

PROPERTIES

Air permeability:
class 4, EN 1026; EN 12207
Watertightness:
to class E1200, EN 1027; EN 12208
Windload resistance:
to class C5, EN 12211; EN 12210



MB 70



ALUPROF
ALUMINIUM SYSTEMS

PROFILE

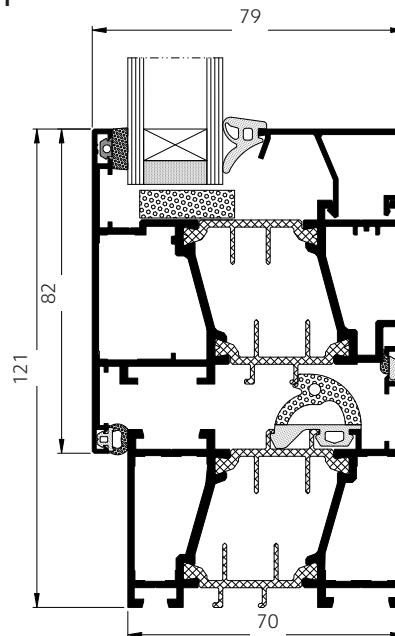
Outward-opening window
Installation depth: 70/79 mm

PROPERTIES

Air permeability:
class 4 EN 1026 EN12207
Watertightness:
E1500 EN 1027; EN 12208
Windload resistance:
to class C4 (2400 Pa), EN 12211 EN 12210



MB 70 CASEMENT



PROFILE

Installation depth: 70/79 mm

ALUPROF
ALUMINIUM SYSTEMS

CONSTRUCTION

Multi-chamber profile
Three variants of thermal insulation
Optional: renovation 20 mm, 40 mm, 60 mm

PROPERTIES

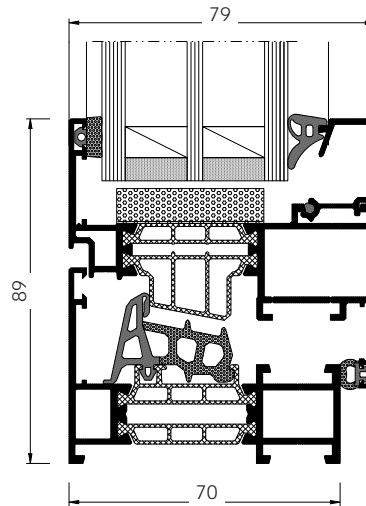
Thermal insulation: $U_f > 0,83 \text{ W}/(\text{m}^2\text{K})$
Watertightness: class 9A
Wind load resistance: class 4 | EN 12207:2001

HARDWARE

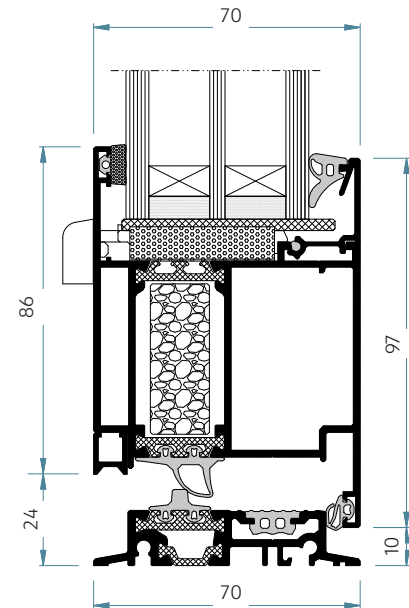
Corrosion resistance ROTO SIL surface
Sash load capacity up to 150 kg
Optional: DESIGNO concealed hinges
Anti-burglar fittings class RC2



MB 79N WINDOW



MB 79N DOOR



PROFILE

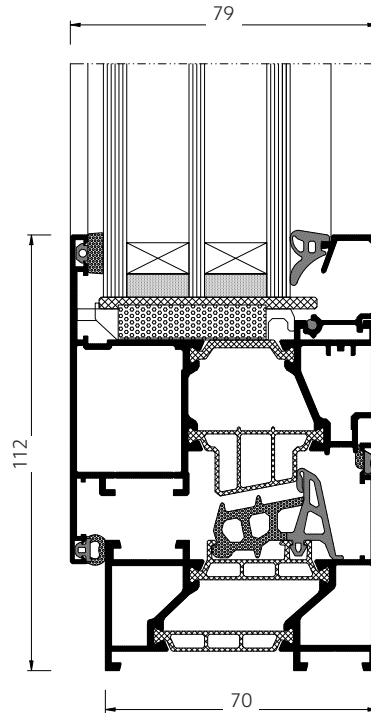
ALUPROF
ALUMINIUM SYSTEMS

PROPERTIES

Outward-opening window,
Installation depth: 70/79 mm

Air permeability: class 4, EN12207
Watertightness: E 1950; EN 12208
Windload resistance: to class C5, EN 12210

MB 79N CASEMENT



PROFILE

Frame depth: 77 mm

Leaf depth: 86 mm

PROPERTIES

Air permeability: class 4 | PN-EN 12207

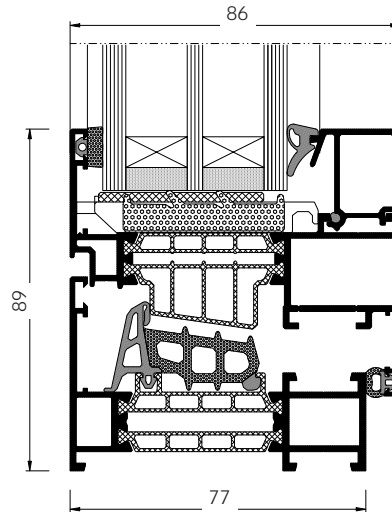
Watertightness: class 9A

Thermal insulation: U_w from 0,62 W/(m²K)

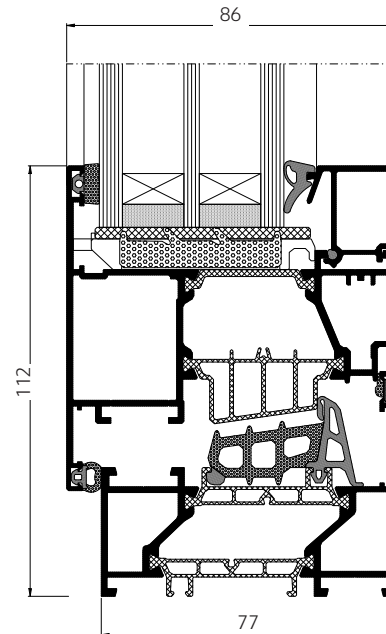
Wind load resistance: class C5



MB 86N



MB 86 CASEMENT





PROFILE

Thermally insulated sliding doors
Installation depth: 50/97 mm
Maximum dimensions
H 2600 mm, L 1800 mm

PROPERTIES

Thermal insulation 1,9 W/(m²K)*

*for door 2200 x 2200 mm, glazing 4/16
Ar/4th - Ug=1,1 W/(m²K)

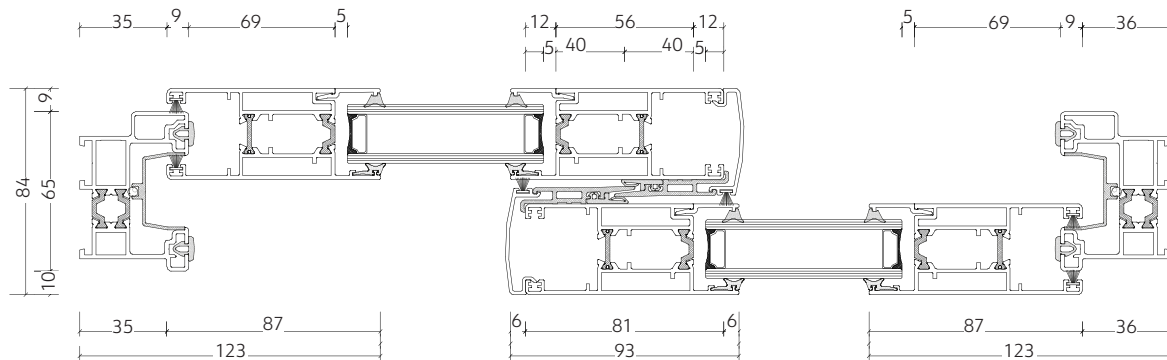
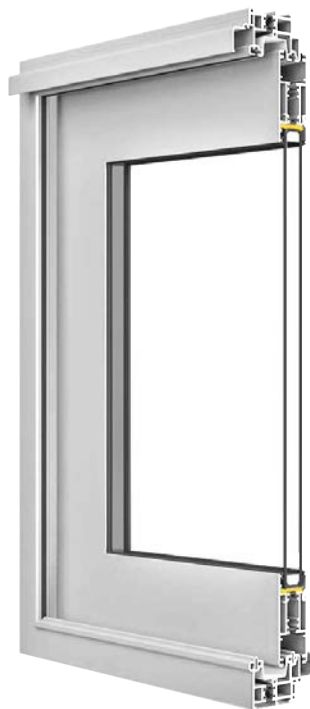
CONSTRUCTION

Aluminium, 3-chambered construction

GASKETS

Two gaskets

MB SLIDE



ALUPROF
ALUMINIUM SYSTEMS

PROFILE

Frame depth: 174 mm
Leaf depth: 77 mm

HARDWARE

Lift & slide

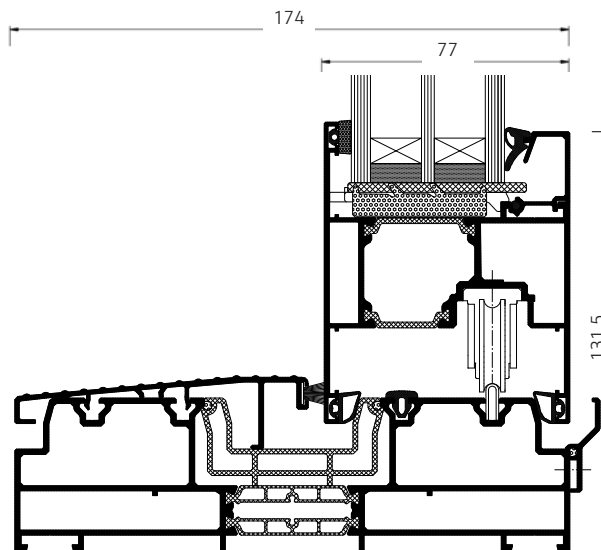
PROPERTIES

Air permeability: class 4 | PN-EN 12207
Watertightness: class 9A | EN 12208
Thermal insulation: $U_w > 0,84 \text{ W/(m}^2\text{K)}$
Wind load resistance: up to class C4 | EN 12210

**LOW THRESHOLD
IN OPTION**

Provide comfortable passage without
architectural barriers

MB 77 HS





PROFILE

Depth of leaf 78 mm
Max. leaf height 3300 mm
Max. leaf width 3300 mm
Narrow mullion 50 mm

GLAZING

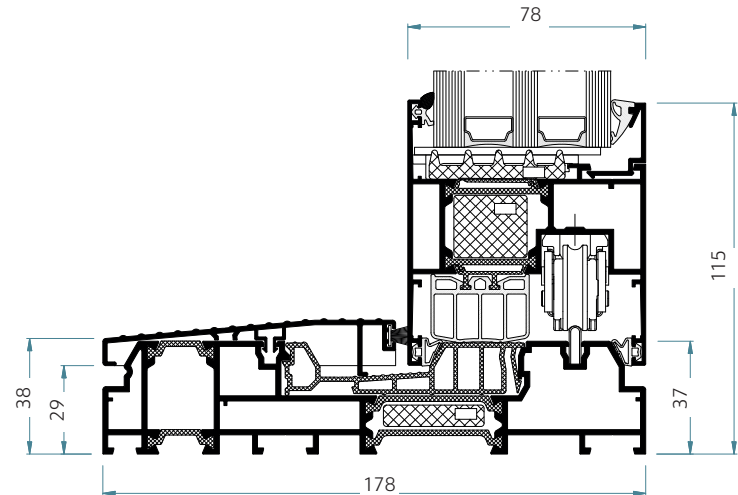
Max. glazing package thickness 59 mm

PROPERTIES

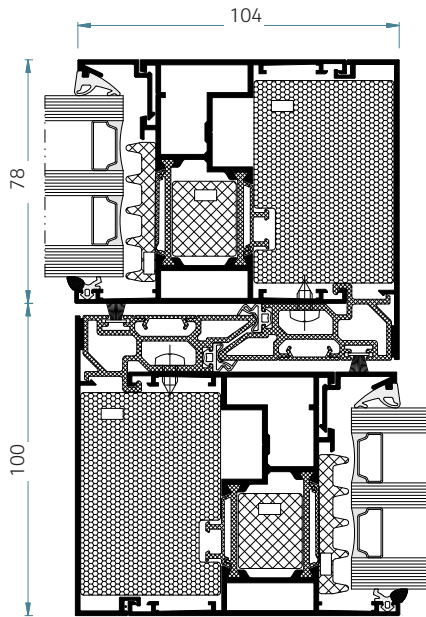
Air permeability: class 4
Watertightness: 9A
Wind load resistance: C3/B3
Sound insulation: 45(-2;-7)dB

AS 178 HS PRO SLIM

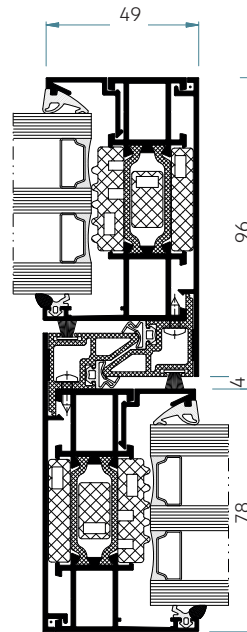
SECTION THROUGH SLIDING DOOR AT FLOOR LEVEL



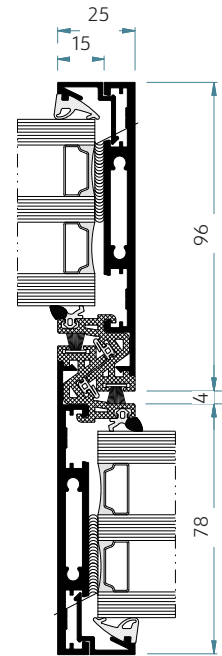
SECTION THROUGH
CENTRELINE LABYRINTH



NARROW MULLION
SLIM-LINE VARIANT



NARROW MULLION
ULTRA-SLIM VARIANT





PROFILE

Installation depth: 75 mm
Max. leaf height: 3000 mm
Max. leaf width: 1600 mm

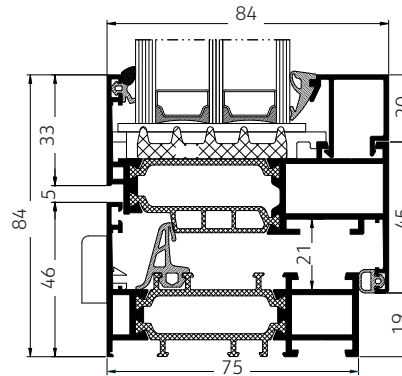
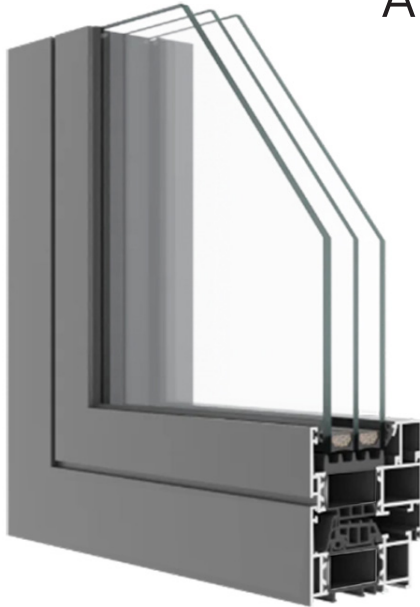
PROPERTIES

Air permeability: class 4
Watertightness: class 9A
Wind load resistance: C5
Sound insulation: 47(-2;-6) dB

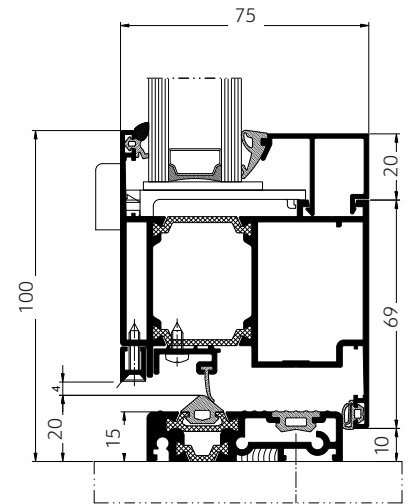
GLAZING

Glazing thickness from 16 mm up to 66 mm

AS 75 WINDOW



AS 75 DOOR

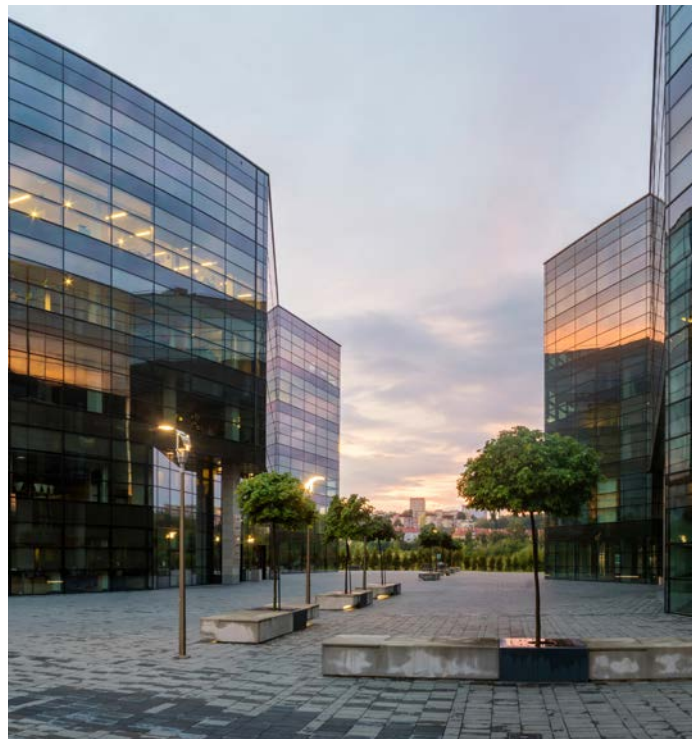


CURTAIN WALLS

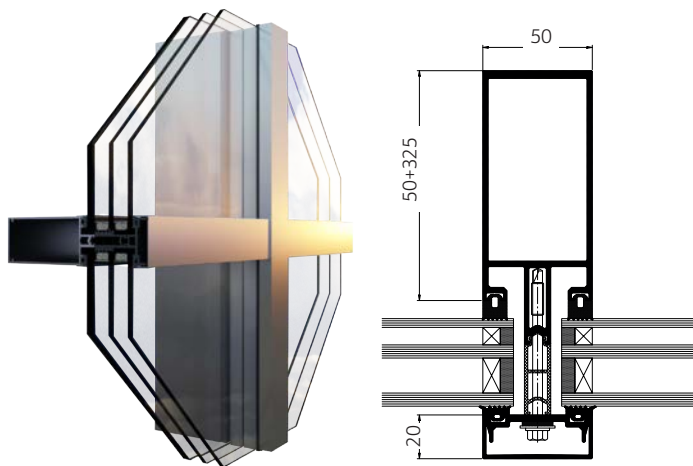
The most popular in modern architecture is the aluminium mullion-transom wall. VIDOK, as a manufacturer, has a wide range of solutions in this field. Starting from the MB-SR50N system, to its versions with increased thermal insulation: MB-SR50N HI and MB-SR50N HI+.

Another option are constructions with different appearances, such as the so-called vertical or horizontal line MB-SR50N PL or aluminium „semi-structural” façade MB-SR50N EFEKT.

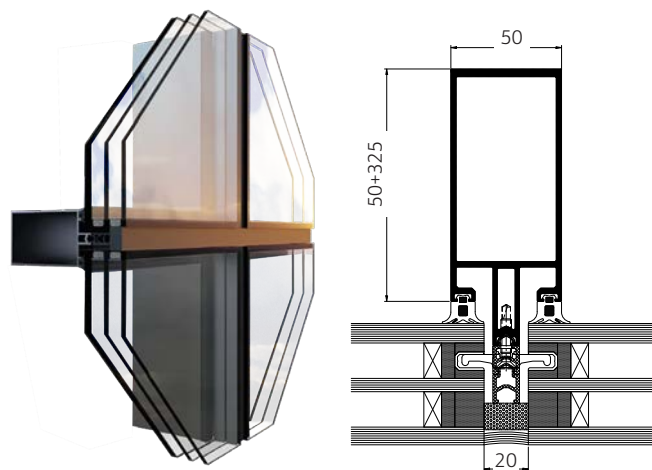
In terms of opening windows, the MB-SR50N system is the basis for such constructions as the MB-SR50N tilt-and-slide windows, MB-SR50N windows integrated with the façades, as well as very aesthetic and functional aluminium roof windows (so-called aluminium roof windows) MB-SR50N SR50N RW.



MB-SR50N



MB-SR50N EFFEKT



EXTERNAL ROLLER BLINDS

MANUFACTURING FACILITY

We select roller shutter system solutions individually, depending on the building and type of installation.

Our systems are equipped with SMART VIDOK automatic control, enabling intelligent management of all roller blinds or a group of roller blinds from anywhere in the world via Wi-Fi.

PUTZ



BECLEVER



FLEXI



PVC

MANUFACTURING FACILITY

Created on the basis of advanced technology and perfection of detail finishing using the most modern GRAF robots and a new generation of numerically controlled machines.



FOT. VIDOK

Made on profiles in the highest quality class A, guaranteeing exceptional thermal and acoustic insulation. The multi-chamber structure combined with internal steel reinforcements, a modern gasket system and low-emission thermal insulation glass provides optimal protection against cold and noise.

PVC windows are regularly subjected to the most severe strength tests in the VIDOK research and development centre, such as: resistance to wind, rain or solar radiation.



70 °C
resistance of profiles
to heating



160 km/h
wind load resistance



15 000
full cycles of opening
and closing
the sliding door



PROFILE



VEKA PERFECTLINE
Profile class: A
Installation depth: 70 mm
5 chamber construction
Reinforcements made of galvanized steel
Corner welding using GRAFF-EVO technology

GLAZING

Glazing thickness: 24-40 mm
Standard thickness: 24 mm
Optional: Warm edge spacer TGI/MULTITECH

HARDWARE

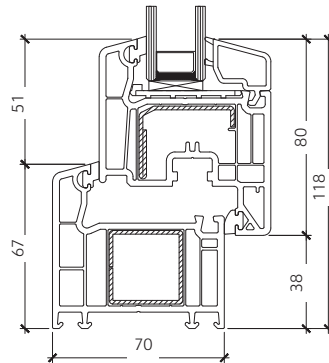
ROTO NX
ROTO SIL corrosion protection surface
Sash weights up to 130 kg
Handle misplacement blockade, Sash lifter,
Micro ventilation function,
Optional: Protection class up to RC2
Concealed hardware ROTO Designo
Titl-first lockable system
The opening restrictor controlled by the handle

GASKETS

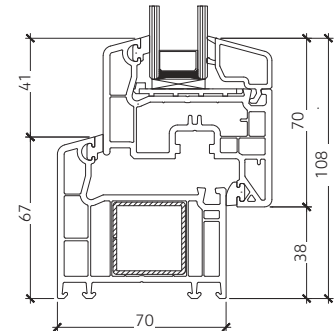
Black, grey, caramel
The color of the seal matches the color
of the profile base



VP 70



VP 70 SLIM



PROPERTIES

THERMAL INSULATION



$U_w = 1,2 \text{ W/m}^2\text{K}^*$

SOUND INSULATION



up to 48 dB

PROTECTION CLASS

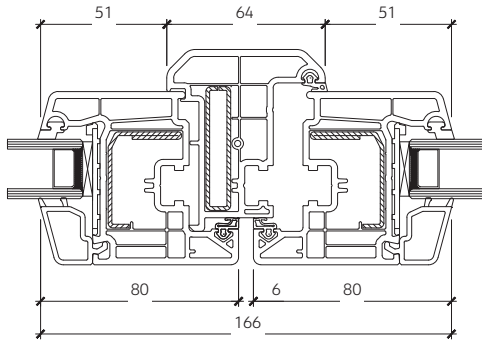


up to RC2

*applies to the reference window 1.23 m x 1.48 m, $U_g = 1.0 \text{ W/m}^2\text{K}$, TGI

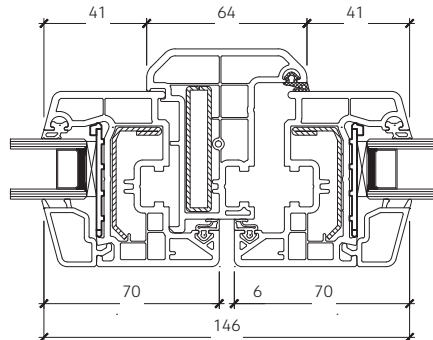
VP 70

MOVABLE MULLION



VP 70 SLIM

MOVABLE MULLION



PROFILE



VEKA PERFECTLINE
Profile class: A
5 chamber construction
Installation depth: 70 mm
Renovation frame R30 mm, R35 mm, R65 mm
Reinforcements made of galvanized steel
Corner welding using GRAFF-EVO technology

GLAZING

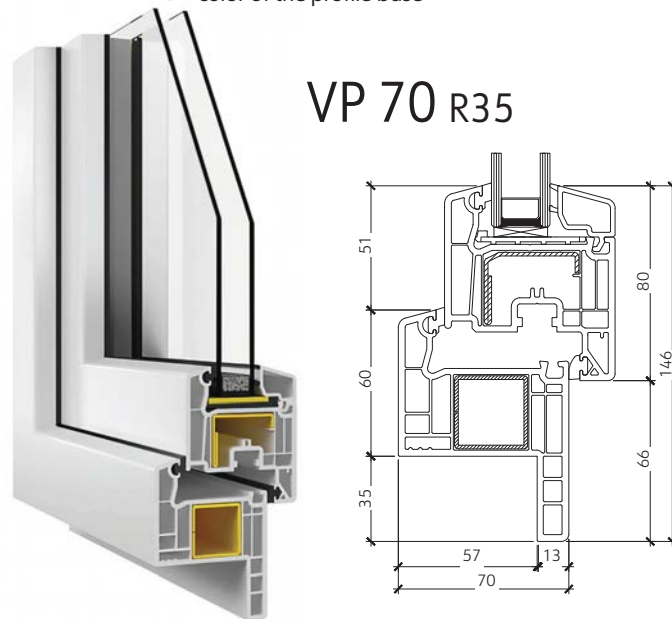
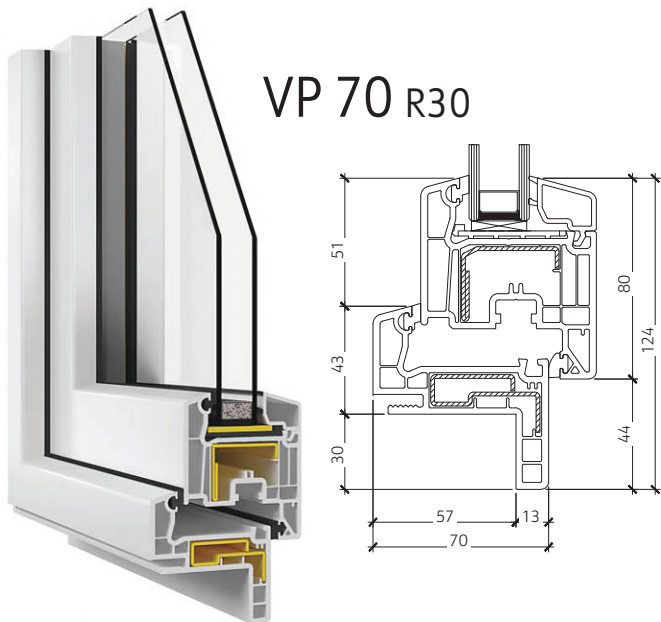
Glazing thickness: 24-40 mm
Standard thickness: 24 mm
Optional: warm edge spacer TGI/MULTITECH

HARDWARE

ROTO NX
ROTO SIL corrosion protection surface
Sash weights up to 130 kg
Handle misplacement blockade,
Sash lifter, Micro ventilation function,
Optional: Protection class up to RC2
Concealed hardware ROTO Designo
Titl-first lockable system
The opening restrictor controlled by the handle

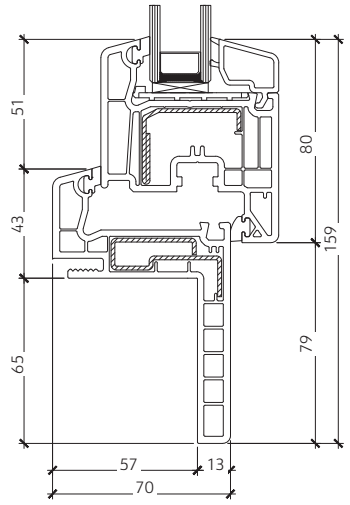
GASKETS

Black, grey, caramel
The color of the gasket matches the
color of the profile base





VP 70 R65



PROFIL



VEKA SOFTLINE 76
Profile class: A
Installation depth: 76 mm
6 chamber construction
Reinforcements made of galvanized steel
Corner welding using GRAFF-EVO technology
Optional: Renovation frame R65 mm, slim profile

GLAZING

Glazing thickness: 24-48 mm
Standard thickness: 48 mm
Optional: Warm edge spacer TGI/MULTITECH

HARDWARE

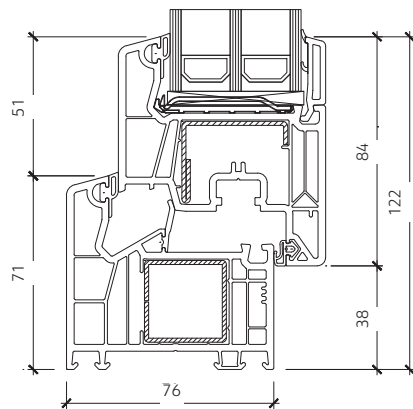
ROTO NX
ROTO SIL corrosion protection surface
Sash weights up to 130 kg
Handle misplacement blockade,
Sash lifter, Micro ventilation function,
Optional: Protection class up to RC2
Concealed hardware ROTO Designo
Titl-first lockable system
The opening restrictor controlled by the handle

GASKETS

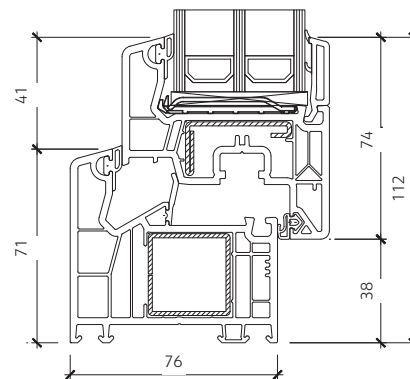
Black, grey, caramel
The color of the gasket matches the color of the profile base



SILVERLINE 76



SILVERLINE 76 SLIM



PROPERTIES

THERMAL INSULATION  $U_w = 0,77 \text{ W/m}^2\text{K}^*$

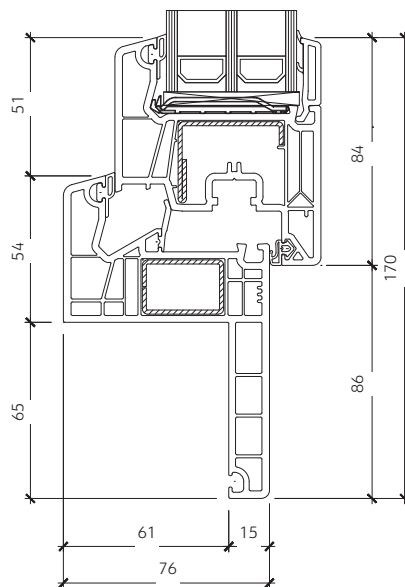
SOUND INSULATION  up to 48 dB

PROTECTION CLASS  up to RC2

*applies to the reference window 1.23 m x 1.48 m, $U_g = 0.5 \text{ W/m}^2\text{K}$, TGI



SOFTLINE 76 MD R65



PROFILE



VEKA SOFTLINE 82 MD
Profile class: A
Installation depth: 82 mm
7 chamber construction
Reinforcements made of galvanized steel
Corner welding using GRAFF-EVO technology
Optional: Renovation frame R35 mm, slim profile

GLAZING

Glazing thickness: 24-54 mm
Standard thickness: 48 mm
Optional: Warm edge spacer TGI/MULTITECH

HARDWARE

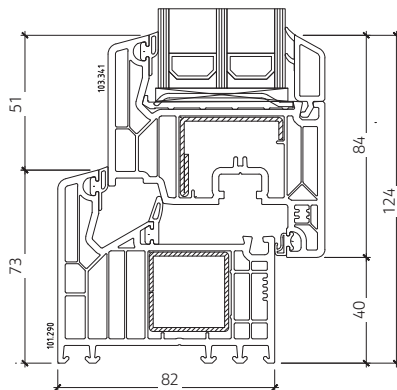
ROTO NX
ROTO SIL corrosion protection surface
Sash weights up to 130 kg
Handle misplacement blockade,
Sash lifter, Micro ventilation function,
Optional: Protection class up to RC2
Concealed hardware ROTO Designo
Titl-first lockable system
The opening restrictor controlled by the handle

GASKETS

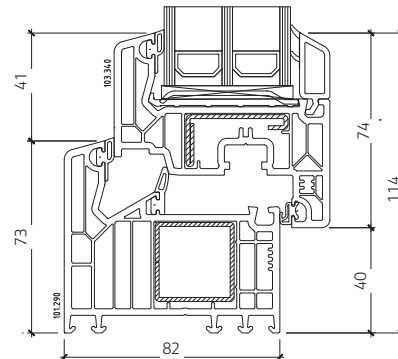
Black, grey, caramel
The color of the gasket matches the color of the profile base



VP 82



VP 82 SLIM



PROPERTIES

THERMAL INSULATION  $U_w = 0,75 \text{ W/m}^2\text{K}^*$

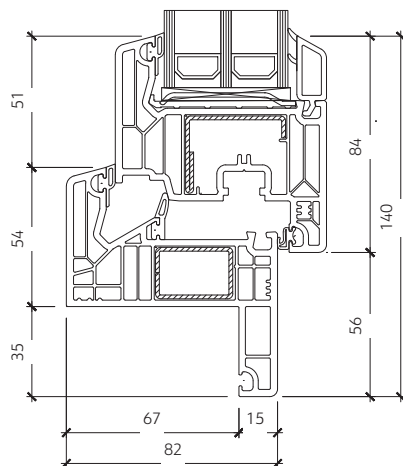
SOUND INSULATION  up to 48 dB

PROTECTION CLASS  RC2, RC3

*applies to the reference window 1.23 m x 1.48 m, $U_g = 0,5 \text{ W/m}^2\text{K}$, TGI



VP 82 R35





PROFILE

Profile class: B
6 chamber construction
Depth of leaf: 80 mm
Depth of frame: 76 mm
Profile with three gaskets, combining an innovative technology with minimalist design. Products visually resembling aluminum windows.

HARDWARE

ROTO NX
ROTO SIL corrosion protection surface,
handle misplacement blockade,
micro ventilation function,
Optional: Protection class RC2, Concealed
hardware Roto DESIGNO

GLAZING

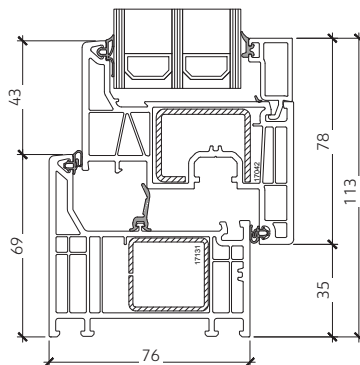
Triple glass with warm edge of $U_g = 0.5 \text{ W/m}^2\text{K}$,
optional: safety glass, anti-burglary, acoustic,
selective, TGI/MULTITECH warm edge spacer,
Thickness: 24-58 mm

GASKETS

Black, grey. The color of the gasket
matches the color of the profile base



VP 80 PLATINUM DESIGN



PROPERTIES

THERMAL INSULATION		$U = 0,75 \text{ W/m}^2\text{K}^*$
SOUND INSULATION		up to 48 dB
RESISTANCE CLASS		RC2

*applies to the reference window 1.23 m x 1.48 m, $U_g = 0.5 \text{ W/m}^2\text{K}$, TGI

PROFILE



PVC+ALUMINIUM

Installation depth: 76/88 mm.

A 5-chamber frame construction of the outside wall depth of 2,8 mm, seamless welding, highest A class

HARDWARE

Multi-point locking fittings of an increased anti-corrosion protection, optional Designo fitting, RC1, RC2 anti-burglar

PROPERTIES

THERMAL INSULATION



$U_w = 0,77 \text{ W/m}^2\text{K}^*$

ACOUSTIC ISOLATION



up to 48 dB

RESISTANCE CLASS

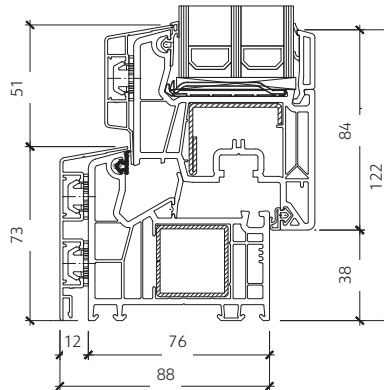


RC2

*applies to the reference window 1,23 m x 1,48 m, $U_g = 0,5 \text{ W/m}^2\text{K}$ SWISSPACER



VPA 88



PROFILE
deceuninck

GLAZING

Frame depth: 175 mm
Leaf depth: 76 mm

Triple glass with warm edge
of $U_g = 0.5 \text{ W/m}^2\text{K}$,
optional: safety glass, anti-burglary,
acoustic, selective

HARDWARE

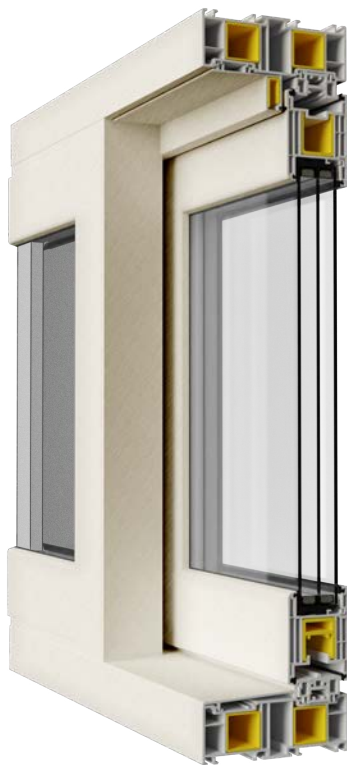
Lift & slide

LOW THRESHOLD

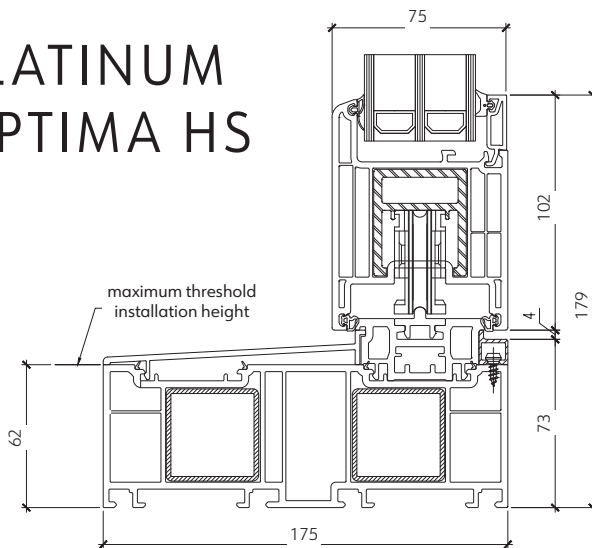
Provide comfortable passage
without architectural barriers

GASKETS

An excellent gasket system improves
thermal and acoustic insulation



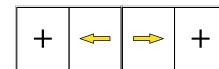
PLATINUM OPTIMA HS



TYPES OF SLIDING DOORS



Scheme A



Scheme C - variant

PROFILE



Wall thicknesses according to class A (DIN EN 12608)
Installation depth 150 mm
Glazing unit combined with low-energy glass up to 48 mm thick

GLAZING

Triple glass
Optional: safety glass, anti-burglary, acoustic, selective, TGI/MULTITECH warm edge

HARDWARE

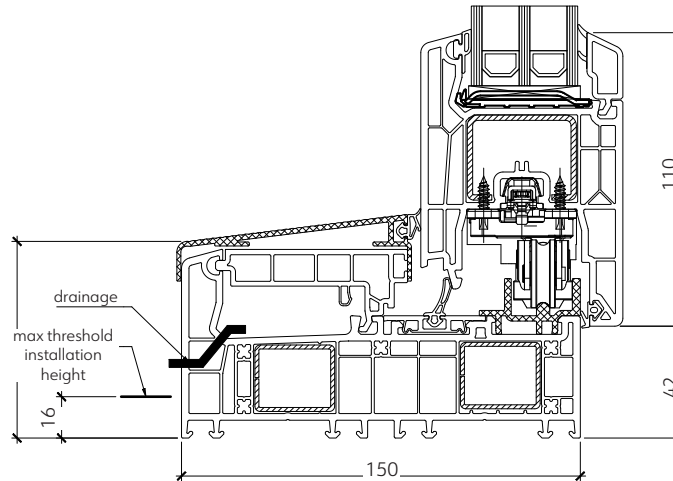
Slide

GASKETS

High-performance, peripheral centre seal that creates an additional third sealing layer. The closing movement of the leaves towards the frame also ensures reliable tightness. Very good thermal insulation with low U-values



VEKAMOVE 76



TYPES OF SLIDING DOORS



Scheme A

PROFILE



GLAZING

Frame depth: 194 mm
Leaf depth: 82 mm

Triple glass with warm edge
of $U_g = 0.5 \text{ W/m}^2\text{K}$,
Optional: safety glass, anti-burglary,
acoustic, selective
Thickness 24-54 mm

HARDWARE

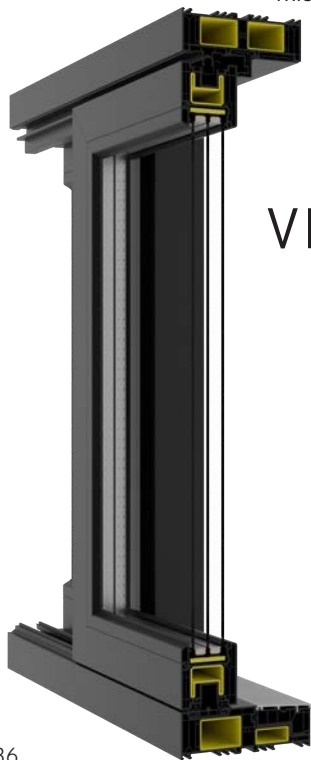
Lift & slide

LOW THRESHOLD

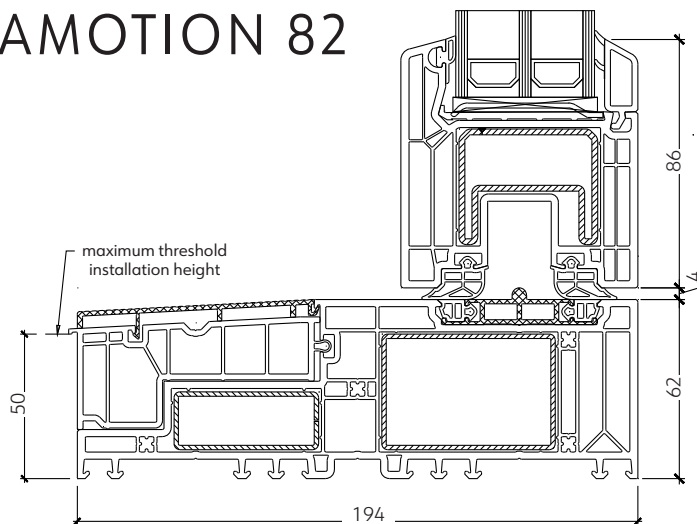
Provide comfortable passage
without architectural barriers

GASKETS

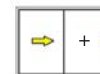
An excellent gasket system improves
thermal and acoustic insulation



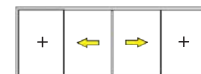
VEKAMOTION 82



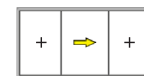
TYPES OF SLIDING DOORS



Scheme A



Scheme C



Scheme C - variant

TIMBER MANUFACTURING FACILITY

The highest quality products, refined in every detail thanks to the most modern machining centre in Europe WORKING PROCESS. Made exclusively on the basis of selected, properly glued wood. This multi-layer construction guarantees high stability and resistance to deformation.



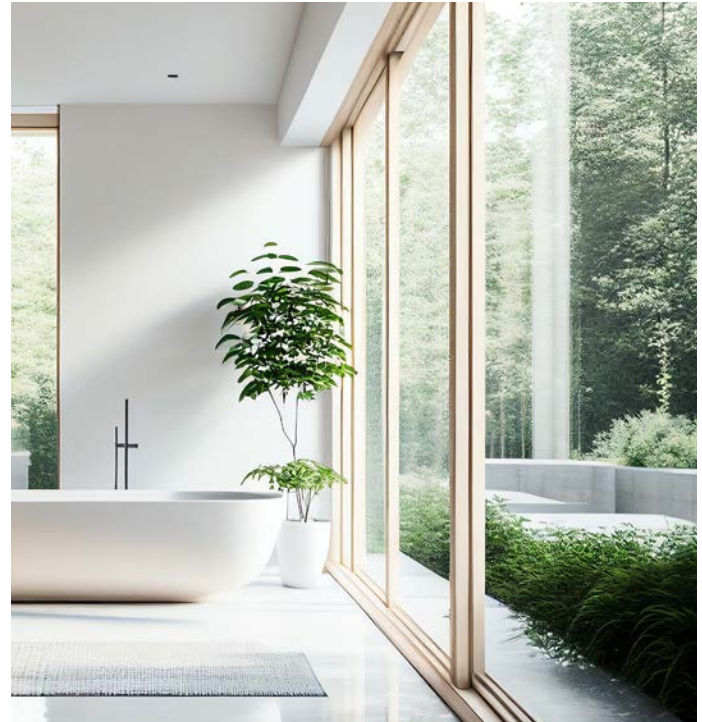
FOT. VIDOK

WOODEN WINDOWS

PERFECT INTERIOR HARMONY

Dedicated to all those who value naturalness and individuality as well as timeless elegance. They add warmth and character to any arrangement.

Appropriate impregnation, priming and layers of varnish ensure long life. The natural structure of the wood is emphasized by transparent varnishes, whose wide range of colors gives freedom in interior design. An innovative solution for those who demand more.



SYSTEM | Frame and leaf depth 68 mm
Renovation 15,30,40 mm

MATERIAL | Pine, oak, meranti, larch

HARDWARE | ROTO NX, Roto Sil corrosion protection surface,
Optional: Designo, Tilt-first

LINE | Classic, softline, retro, modern

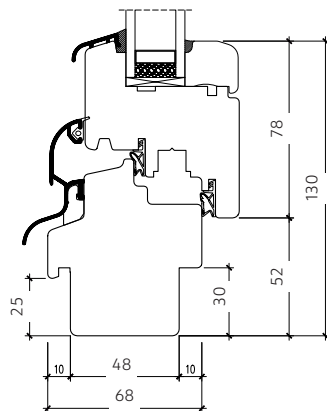
GLAZING | Thickness: 26-34 mm
Standard thickness: 26 mm
Optional: Warm edge
SWISSPACER ULTIMATE/ ADVANCE

CLASSIC LINE



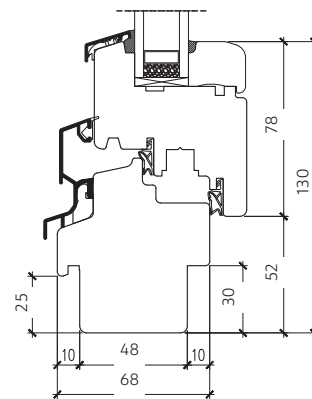
VD 68

STANDARD ALU DRIP CAP



VD 68

MODERN ALU DRIP CAP



PROPERTIES

THERMAL INSULATION



$U_w = 1,1 \text{ W/m}^2\text{K}^*$

SOUND INSULATION



up to 44 dB

*applies to the reference window 1.23 m x 1.48 m, $U_g = 0,8 \text{ W/m}^2\text{K}$, SWISSPACER

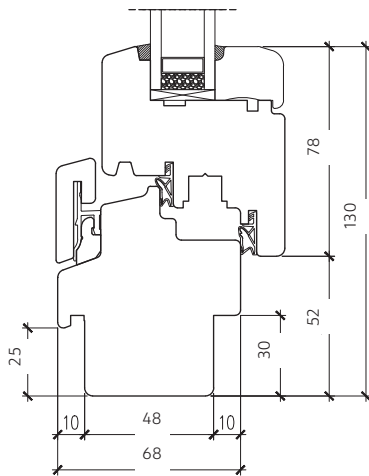


CLASSIC LINE



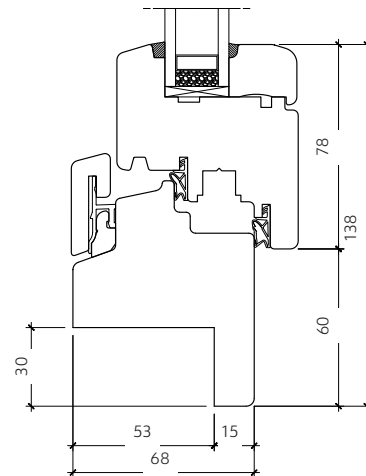
VD 68

WOODEN DRIP CAP



VD 68 R30

WOODEN DRIP CAP



SYSTEM | Installation depth: 84 mm

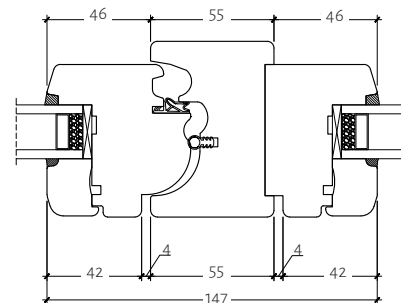
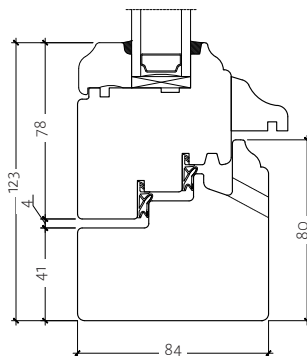
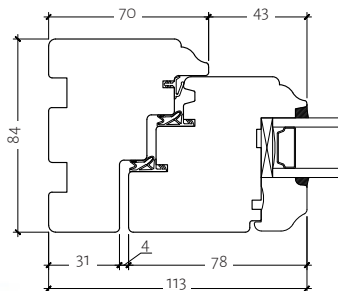
GLAZING | Thickness: 26-34 mm
 Standard thickness: 26 mm
 Optional: Warm edge
 SWISSPACER ULTIMATE/ ADVANCE

LINE | classic, retro, classic C40

THERMAL INSULATION | $U_w=1,1 \text{ W/m}^2\text{K}^*$

*applies to the reference window 1.23 m x 1.48 m, $U_g = 0.8 \text{ W/m}^2\text{K}$, SWISSPACER

VD 68 GDL






SYSTEM

Installation depth: 78 mm
Renovation: 15,30,40 mm

GLAZING

Triple glass with thickness of 36-44 mm
Optional: safety glass, ornamental glass,
anti-burglary, acoustic, reflective,
warm edge SWISSPACER ULTIMATE/ADVANCE

PROPERTIES

THERMAL INSULATION		$U_w = 0,87 \text{ W/m}^2\text{K}^*$
SOUND INSULATION		up to 48 dB
PROTECTION CLASS		up to RC2

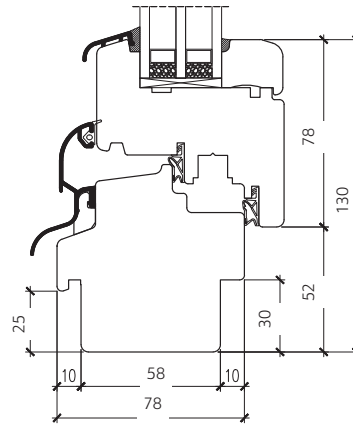
*applies to the reference window 1.23 m x 1.48 m, $U_g = 0.6 \text{ W/m}^2\text{K}$, SWISSPACER

CLASSIC LINE



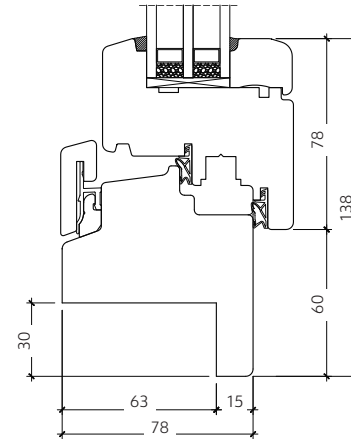
VD 78

STANDARD ALU DRIP CAP



VD 78 R30

WOODEN DRIP CAP






SYSTEM

Installation depth: 92 mm

GLAZING

Triple glass with thickness of 46-58 mm
Optional: warm edge
SWISSPACER ULTIMATE/ADVANCE

PROPERTIES

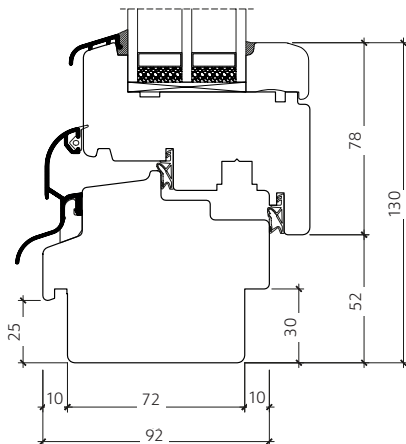
THERMAL INSULATION		$U_w = 0,78 \text{ W/m}^2\text{K}^*$
ACOUSTIC ISOLATION		up to 48 dB
RESISTANCE CLASS:		RC2

*applies to the reference window 1,23 m x 1,48 m, $U_g = 0,5 \text{ W/m}^2\text{K}$ SWISSPACER

VD 92

STANDARD ALU DRIP CAP

CLASSIC LINE

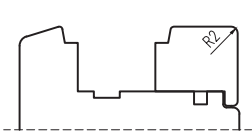


SHAPES

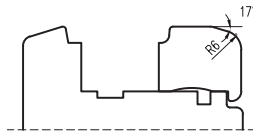


Joinery in variety shapes

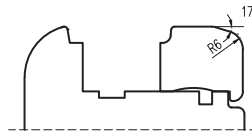
STYLISTIC LINES OF WOOD FINISHES



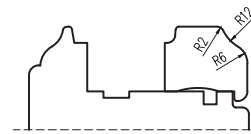
CLASSIC LINE
MODERN GLAZING BEAD



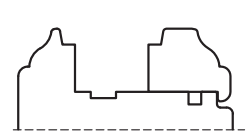
CLASSIC LINE
CLASSIC GLAZING BEAD



SOFTLINE
CLASSIC GLAZING BEAD

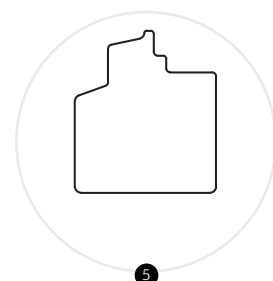
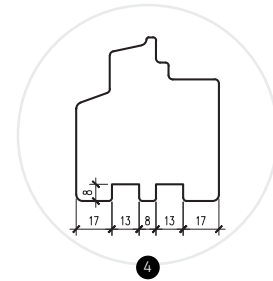
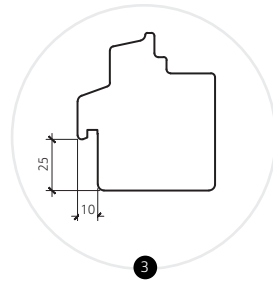
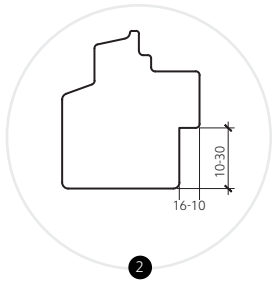
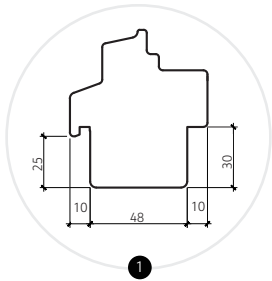


RETRO LINE
RETRO GLAZING BEAD



RETRO LINE
RETRO FR GLAZING BEAD

TYPES OF MILLING THE LOWER FRAME PROFILE



SYSTEM

Frame depth: 184 mm
Leaf depth: 78 mm

GLAZING

Triple glass with warm edge
of $U_g = 0.6 \text{ W/m}^2\text{K}$,
Optional: safety glass, anti-burglary,
acoustic, selective

HARDWARE

Lift & slide SIEGENIA

LOW THRESHOLD

Provide comfortable passage without
architectural barriers SIEGENIA ECO PASS
50 mm AND ECO PASS R 25 mm low threshold

GASKETS

An excellent gasket system improves
thermal and acoustic insulation

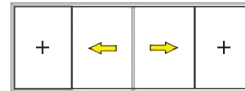


VD 78 HS

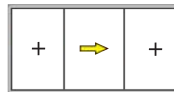
TYPES OF SLIDING DOORS



Scheme A

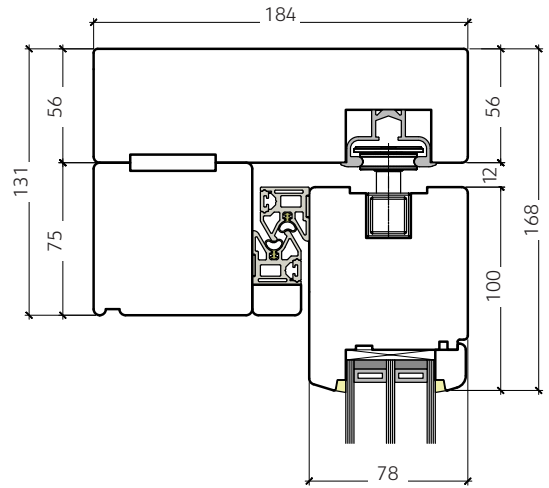
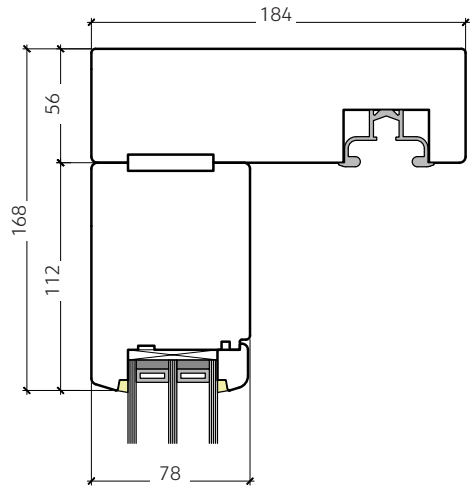


Scheme C



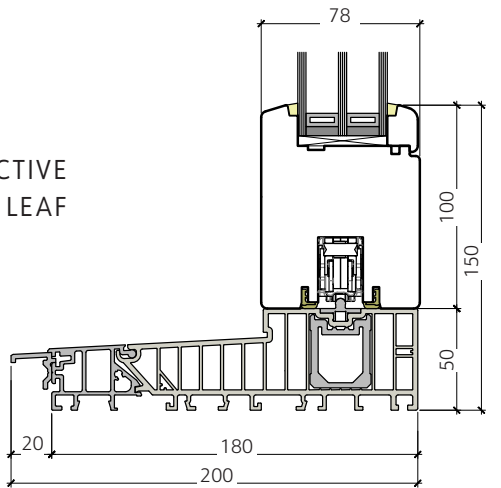
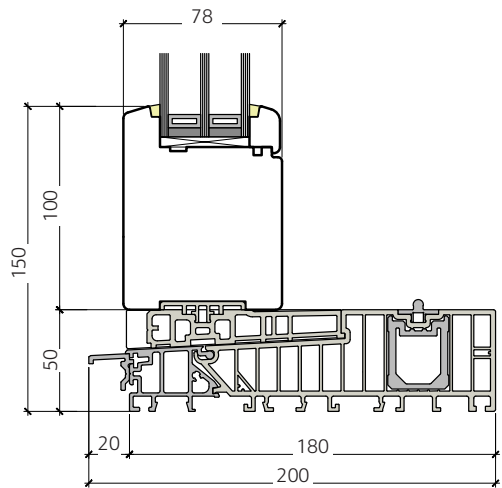
Scheme G





PASSIVE
LEAF

ACTIVE
LEAF



WOODEN-ALUMINIUM WINDOWS

IDEAL FOR DEMANDING CUSTOMERS

Contemporary home design. They combine the naturalness and internal warmth of wood with a modern look and above-average durability of aluminium.

An innovative solution for those who demand more. Compared to wooden windows, they are characterized by longer durability, better functional properties, and much greater resistance to weather conditions. A wide spectrum of colors and structures of aluminium overlays gives unlimited possibilities in designing and implementing non-standard projects.



SYSTEM

Timber with aluminium clad
ALURON aluminium
Installation depth 68/86 mm

GLAZING

Double glass with thickness 24-44 mm

PROPERTIES

THERMAL INSULATION



$U_w = 0,91 \text{ W/m}^2\text{K}^*$

SOUND INSULATION



up to 44 dB

PROTECTION CLASS



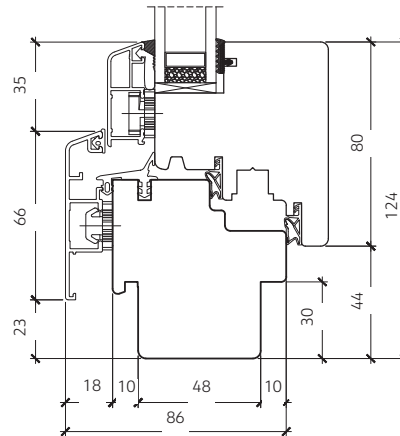
up to RC2

*applies to the reference window 1.23 m x 1.48 m, $U_g = 0,6 \text{ W/m}^2\text{K}$, SWISSPACER



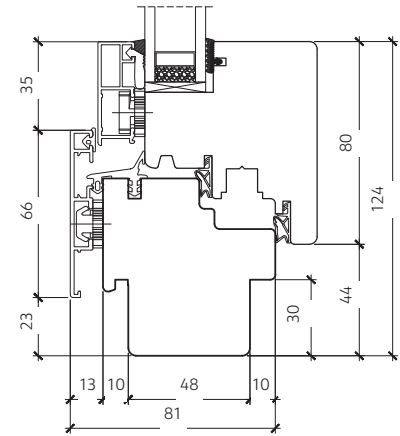
VDA 68

68/86 CLASSIC ALU CLAD



VDA 68

68/81 QUADRAT ALU CLAD



SYSTEM

Timber with aluminium clad
ALURON aluminium
Installation depth 68/81mm

GLAZING

Triple glass with thickness 34-58 mm

PROPERTIES

THERMAL INSULATION



$U_w = 0,85 \text{ W/m}^2\text{K}^*$

SOUND INSULATION



up to 44 dB

PROTECTION CLASS



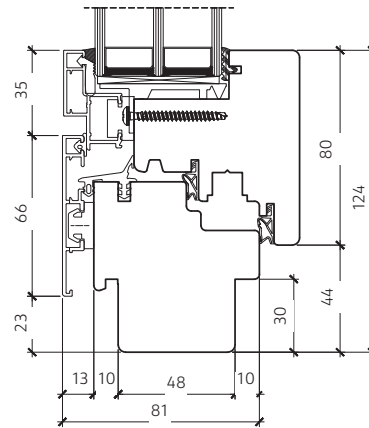
up to RC2

*applies to the reference window 1.23 m x 1.48 m, $U_g = 0,6 \text{ W/m}^2\text{K}$, SWISSPACER



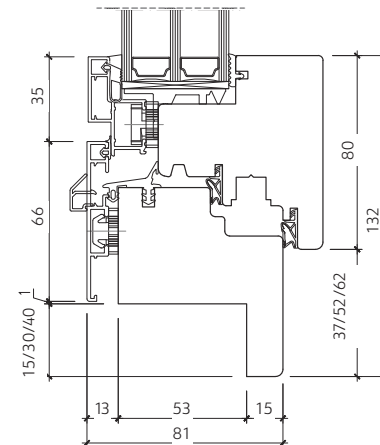
VDA 68

68/81 QUADRAT FB ALU CLAD



VDA 68 R30

68/81 QUADRAT FB ALU CLAD



SYSTEM

Timber with aluminium clad
ALURON aluminium
Installation depth 78/96 mm

GLAZING

Triple glass with thickness
42-54 mm (VDA 78/96)
44-68 mm (VDA 78/91)

PROPERTIES

THERMAL INSULATION



$U_w = 0,81 \text{ W/m}^2\text{K}^*$

SOUND INSULATION

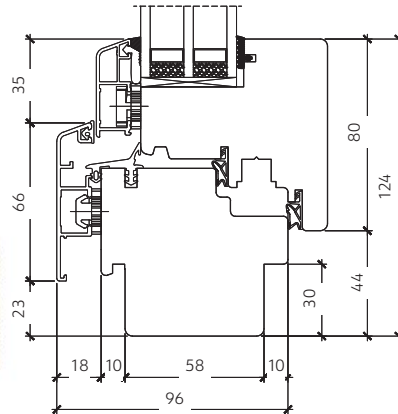


up to 48 dB

*applies to the reference window 1.23 m x 1.48 m, $U_g = 0.5 \text{ W/m}^2\text{K}$, SWISSPACER

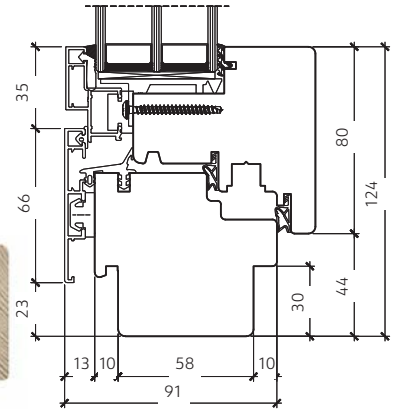
VDA 78

78/96 CLASSIC ALU CLAD



VDA 78

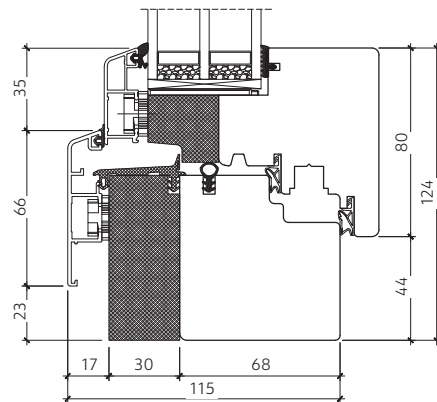
78/91 QUADRAT FB ALU CLAD





VDA 115 PASSIVE

CLASSIC ALU CLAD



PROPERTIES

THERMAL INSULATION  $U_w = 0,69 \text{ W/m}^2\text{K}^*$

SOUND INSULATION  up to 48 dB

*applies to the reference window 1.23 m x 1.48 m, $U_g = 0.5 \text{ W/m}^2\text{K}$, TGI

RAISING STANDARDS WITH PREMIUM WINDOWS AND DOORS

VIDOK.COM
WINDOWS AND DOORS

VIDOK SP. Z O.O.

Manufacturer of PVC, Wood and Aluminium Windows and Doors

36-054 Rudna Mała 75, Poland

contact@vidok.com | REGON: 690379060 | NIP: PL8131086710



This document does not constitute a commercial offer within the meaning of Article 66 of the Civil Code. VIDOK Sp. z o.o. reserves the right to modify and improve the products presented in this catalog. The information provided herein is accurate as of the time of its publication. Due to the limitations of printing technology, the colors of the presented products may differ from their actual appearance. Edition 2025.