



VIDOK.COM
WINDOWS AND DOORS



NORDIC

OUTWARD-OPENING WINDOWS



EXCEPTIONAL AIRTIGHTNESS

Wind pressure pushes the sash tightly against the frame, increasing airtightness, insulation, and security. As a result, the windows are energy-efficient and help minimize heat loss.



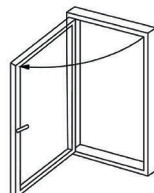
NATURAL BEAUTY

Top-quality wood provides excellent insulation and creates warm, inviting interiors. The version with an aluminum exterior cladding additionally protects the wood from the outside, increasing durability and reducing maintenance to a minimum.

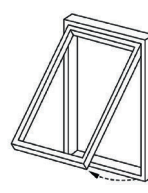
OPENING CONFIGURATIONS

Three window opening options provide complete freedom of choice - match the function to the room and enjoy comfort in every detail.

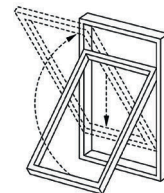
SIDE HUNG



TOP HUNG



TOP SWING



VIDOK WOODEN WINDOWS VD 68 / VD 78 NORDIC

VD 68 NORDIC

CROSS-SECTION

INSTALLATION DEPTH

78/92/114 mm

HARDWARE

Costwold, Securistyle, Defender

GLAZING UNIT

$U_g = 0,8$ with warm-edge SSU spacer

PERFORMANCE

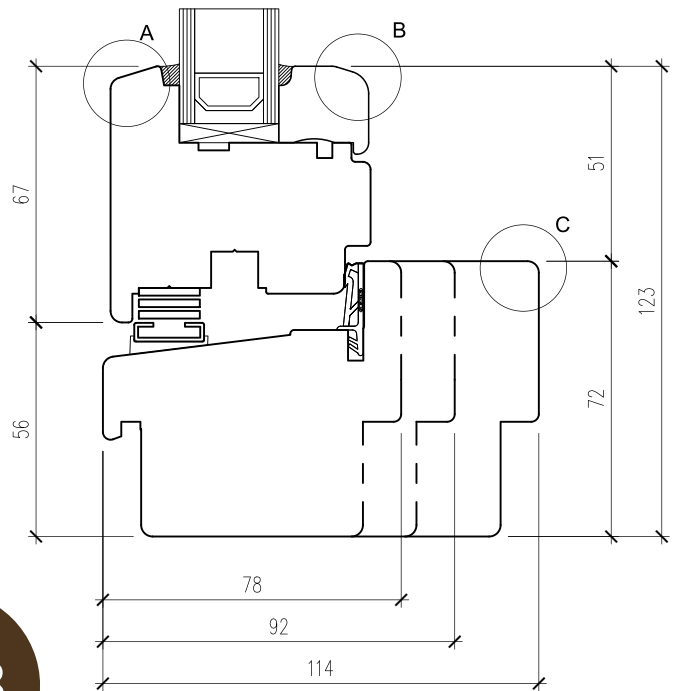
Air permeability: Class 4**

Water tightness: 7A**

Wind load resistance: C3**

* for a 1230 × 1480 mm window

** for a 1500 × 2500 mm window



UW=
1,03
W/m²K*

VD 78 NORDIC

CROSS-SECTION

INSTALLATION DEPTH

92/114 mm

HARDWARE

Cotswold, Securistyle, Defender

GLAZING UNIT

$U_g = 0,6$ with warm-edge SSU spacer

PROPERTIES

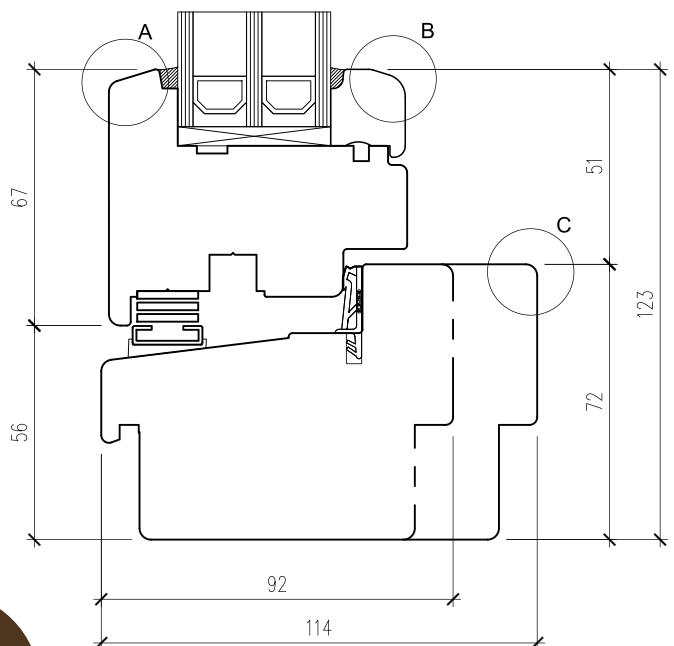
Air permeability: Class 4**

Water tightness: 7A**

Wind load resistance: C3**

* for a 1230 × 1480 mm window

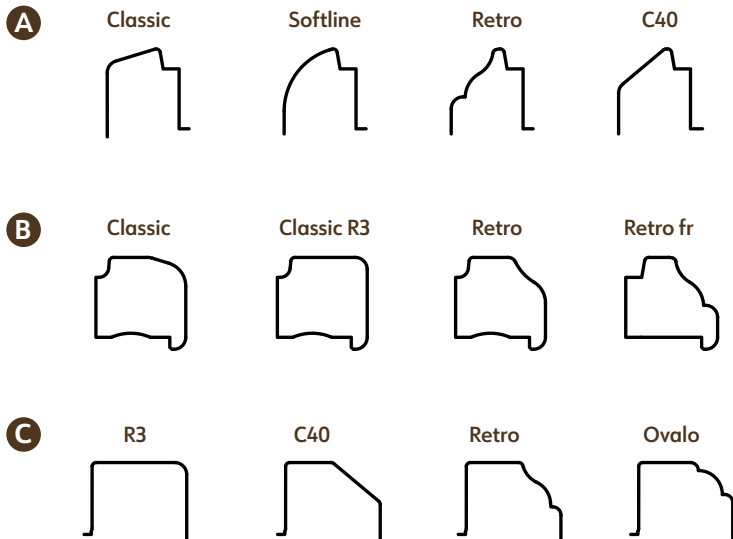
** for a 1500 × 2500 mm window



UW=
0,86
W/m²K*

VIDOK WOODEN WINDOWS NORDIC DETAILS

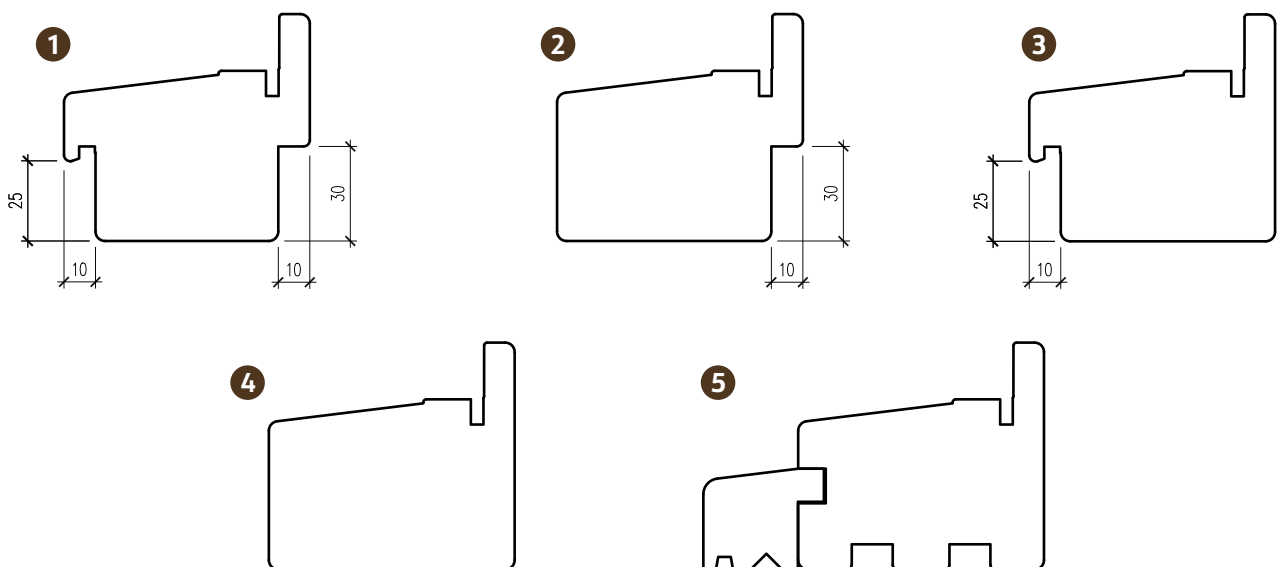
DETAILS



Retro, C40, Ovalo profiles
available only for frame
depths of 92 and 114 mm

R3 profile
available for all frame depths

MILLING OF THE LOWER FRAME



VIDOK WOODEN WINDOWS + ALU VDA 68 / VDA 78 NORDIC

+ ALU

VDA 68 NORDIC

CROSS-SECTION

INSTALLATION DEPTH

78/92/114 mm

HARDWARE

Costwold, Securistyle, Defender

GLAZING UNIT

Ug = 0,6 with warm-edge SSU spacer

PROPERTIES

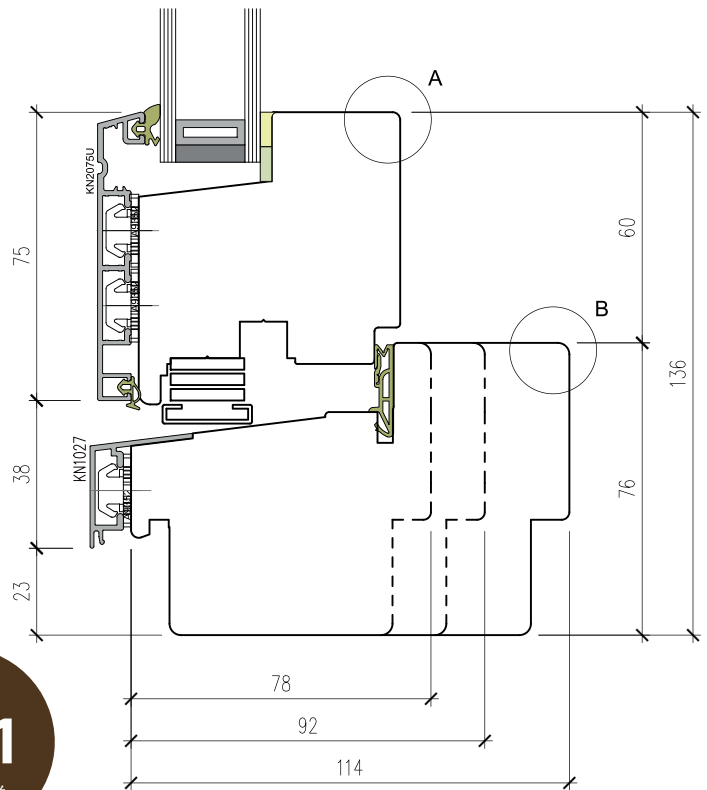
Air permeability: Class 4**

Water tightness: 7A**

Wind load resistance: C3**

* for a 1230 × 1480 mm window

** for a 1500 × 2500 mm window



UW=
0,91
W/m²K*

VDA 78 NORDIC

CROSS-SECTION

INSTALLATION DEPTH

92/114 mm

HARDWARE

Cotswold, Securistyle, Defender

GLAZING UNIT

Ug = 0,5 with warm-edge SSU spacer

PROPERTIES

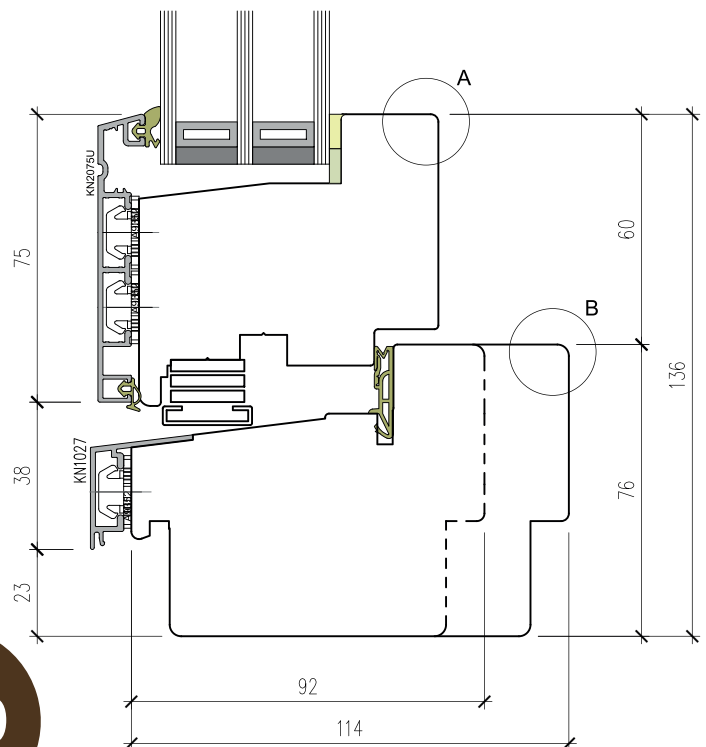
Air permeability: Class 4**

Water tightness: 7A**

Wind load resistance: C3**

* for a 1230 × 1480 mm window

** for a 1500 × 2500 mm window

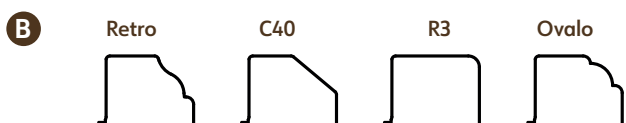
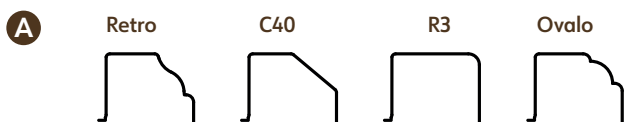


UW=
0,80
W/m²K*

VIDOK WOODEN WINDOWS + ALU NORDIC DETALE

+ ALU

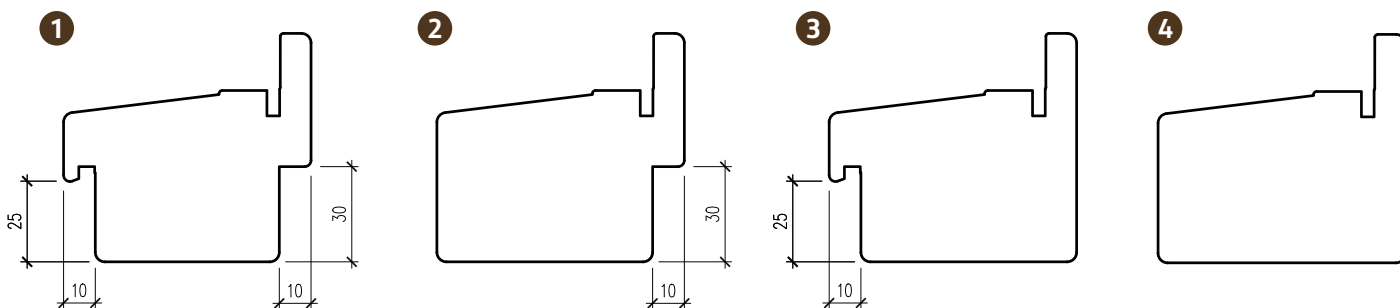
DETAILS



Retro, C40, Ovalo profiles
available only for frame
depths of 92 and 114 mm

R3 profile
available for all frame depths

MILLING OF THE LOWER FRAME



VIDOK.COM
WINDOWS AND DOORS

MANUFACTURER OF WINDOWS AND DOORS MADE OF
TIMBER, PVC AND ALUMINUM

VIDOK Sp. z o.o. Rudna Mała 75 36-054 Rudna Mała, Poland
biuro@vidok.com | REGON: 690379060 | NIP: 8131086710



This publication is of a promotional nature and does not constitute an offer within the meaning of Art. 66 of the Civil Code. VIDOK SP Z O.O. reserves the right to change and improvements to the products presented in this catalog. Release 2026.

© 2026 VIDOK Windows and Doors. All rights reserved. Copying, distributing or modifying any materials without the prior written consent of the VIDOK marketing department is strictly prohibited.